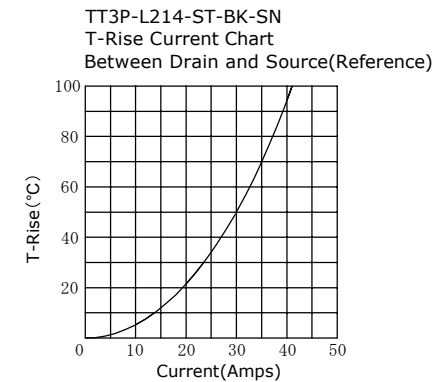
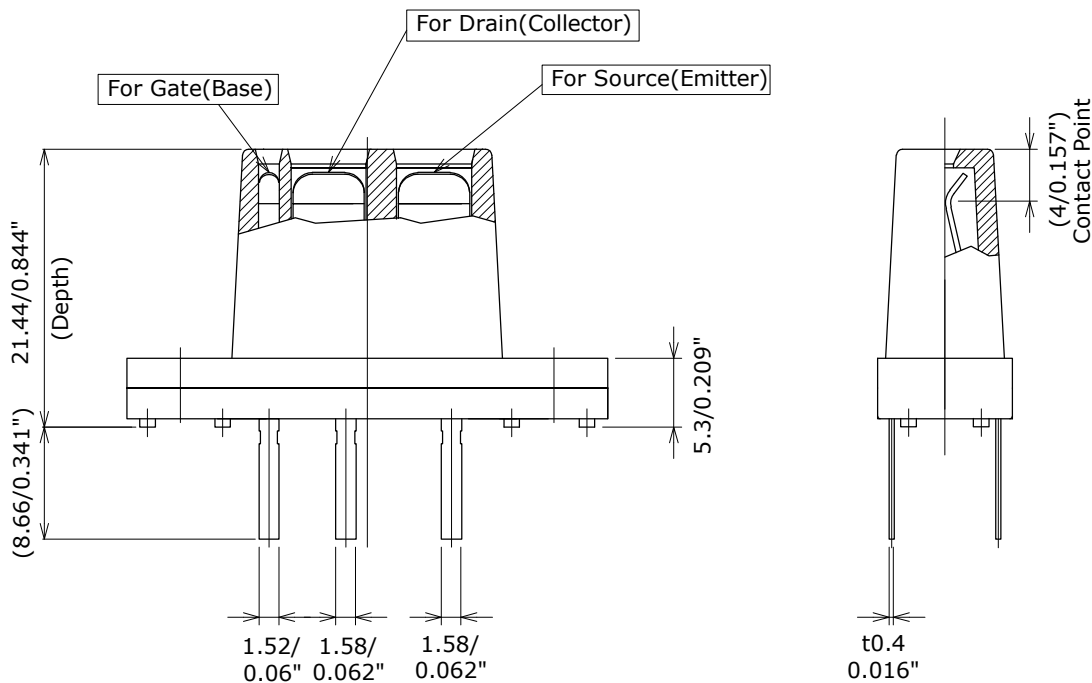


PC Board layout
(Top View)



Specifications

Mating Durability	10,000 cycles
Contact Resistance	20 mΩ max
Insulation Resistance	500 MΩ min
Withstanding Voltage	DC4000V 1 minute at 25°C, DC5000V max AC3000Vrms 1 minute at 25°C (Between Drain and Source)
Temperature Range	-55°C to +105°C *

Suitable for Packages including
TO-3P, TO-247, TO-264
(Some Package might not be usable.)

Date	JC ELECTRONICS CORPORATION	
2024/11/19		
Materials Finish	Body : PPS(Black) Pin : Copper Alloy, Su Plating over Ni	
Dimensions Style	Title	
mm [inch]	Power Transistor IC Test Socket	
 Third Angle Projection	Part Number	
	TT3P-L214-ST-BK-SN	
Rev.No	0	

*Includes temperature rise due to energization